

One Year Unconditional Warranty

If for any reason, this ProMaster product fails within ONE YEAR of the date of purchase, return this product to your ProMaster dealer and it will be exchanged for you at no charge. ProMaster products are guaranteed for ONE FULL YEAR against defects in workmanship and materials. If, at any time after one year, your ProMaster product fails under normal use, we invite you to return it to ProMaster for evaluation.

Code 6677

Made in China

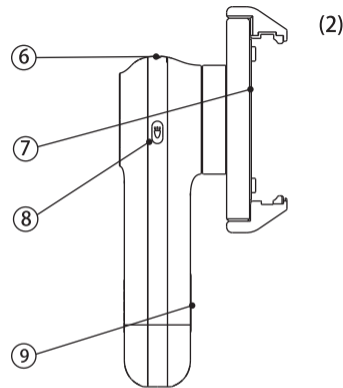
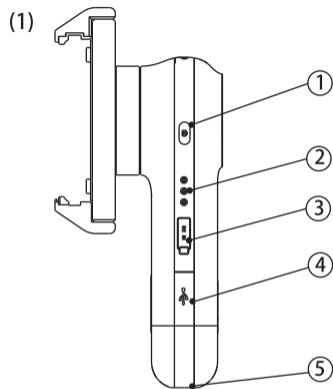
WWW.PROMASTER.COM | FAIRFIELD, CT 06825

[pro]master®

[A X I S]

Phone Stabilizer for smooth videos!





1. Power Button 2. Charging Level Lights 3. Charging Micro USB Port 4. USB Output Port
5. 1/4-20 Attachment Thread Hole 6. Battery Level Indicator and Power on/off Indicator
7. Phone Clamp 8. Light On Button 9. LED Fill Light

Warnings

1. Do not disassemble, open, or repair this unit by yourself.
2. This product is light-splash resistant but not submersible or able to withstand heavy soaking. Be cautious around water, snow, and liquids.
3. This device contains an internal lithium-ion rechargeable battery. Be sure to disconnect it from power once the battery is fully recharged. Do not overcharge the unit.
4. Do not crush this unit or dispose of in fire.
5. Do not connect the Axis to your phone's charging port while also using the Axis as a stabilizer as the phone power cord may become tangled.
6. Power the device OFF when not in use.

Specifications:

Dimensions	4 1/2" H x 3 1/8" D x 2 5/8" W / 115 mm x 79 mm x 66 mm	Weight	7.6 oz / 215 g
		Working Temperature	-10°C ~+40°C
Battery Capacity	2600 mAh	Working Humidity	5%~95% (no frosting)
Charging Parameters:	5V 1.5A	Protection Level	IP54
USB Output	5V 1.5A	Storage Temperature	-10°C ~ +60°C
Working Hours	≈8h	Angle Range	+/-45°

Note: Dimensions are with phone clamp in a horizontal, closed position.

Weight does not include USB charging cable or additional clip.

Using AXIS

- 1. Charging the battery:** Connect the included USB Micro-B cable to the Axis using its Charging Micro USB Port (3). Connect the other end of the cable (USB-A side) to a standard USB power supply. The Charging Level Lights (2) will illuminate. When all 3 lights are on steady, the battery is fully charged. If you start with a fully depleted battery a full charge can typically take about 2 hours to achieve, depending on the charging current.
- 2. Attaching your phone:** Spread open the jaws of the Phone Clamp (7) and insert your phone with its viewing screen facing away from the Phone Clamp (7). Try to center the phone within the jaws as best as you can. Gently return the jaws to their closed position until they grasp each side of your phone. You may do this with or without a protective case on your phone.
- 3. Calibrating the Axis stabilizer:** While holding the Axis vertically and with it turned off, press the Power Button (1) five times in a row quickly. Continue to hold the Axis steady and in a vertical position. Watch the Battery Level Indicator Lights (6) on top of the unit blink as the Phone Clamp (7) rotates back and forth and the Axis self-calibrates. The unit will automatically power down once calibration is complete. **Note:** you must have a phone in the Phone Clamp (7) before beginning the calibration process.

4. Turning on the stabilizer: Hold the Power Button (1) in for approximately 3 seconds and then release it once the unit powers on. The power on/off Indicator Lights (6) will illuminate and the Axis will move your phone to a level position. It may vibrate a little bit upon first powering up. This is normal.
5. Changing the orientation: The Axis can hold your phone in a vertical or horizontal position. To change the phone's orientation grasp it (while the stabilizer is turned ON) and manually move the phone to the desired position. Hold it there for approximately two seconds until you feel the Axis 'grasp' the phone. Now you can let go. Note, the Axis can only hold a phone in a vertical or horizontal position at 90 degree increments.
6. Turning off the stabilizer: Hold the Power Button (1) for approximately 3 seconds and then release it once the unit powers off.
7. Using the LED fill light: The LED Fill Light (9) is designed to illuminate your face and those of others while taking self-portraits. While the Axis is turned on as a stabilizer, simply press the Light On Button (8) once and the LED Fill Light (9) will illuminate. Press this button again to turn the light off.
8. Using the Axis as a power bank: Uncover the USB Output Port (4) by pulling back on its rubber cover. You will expose a common USB-A type connection. Connect your mobile device's charging cable to this port and watch as the Charging Level Lights (2) illuminate to indicate your Axis is functioning as a power bank.

Notes about using your AXIS:

1. The Axis includes a handy grip handle to extend the reach of the Axis and give a greater range of movement. Simply use the 1/4-20 Attachment Thread Hole (5) to connect the grip handle to the Axis.
2. You can connect the Axis to a variety of clamps, poles, and accessories using its common 1/4-20 Attachment Thread Hole (5). This will open-up more options for how your Axis is used and the variety of videos you can shoot!
3. The Axis has a spring-loaded phone clamp designed for use with as many sizes and shapes of phones as possible. However, in some cases a phone may be too small for the minimum operating distance of the jaws on the phone clamp. In this situation, the use of a protective phone case may increase the size of the phone enough for a secure fit in the phone clamp.
4. The Axis is IP54 water and dust resistant for use indoors and outdoors. However, be careful not to submerge the Axis or subject it to a heavy soaking by any liquid.
5. You do not need to recalibrate the Axis each time you use it. It will remember the previous calibration. A new calibration may be required when a different phone is used, due to changes in size and weight. You can recalibrate anytime you notice the Axis is not at the right level point.